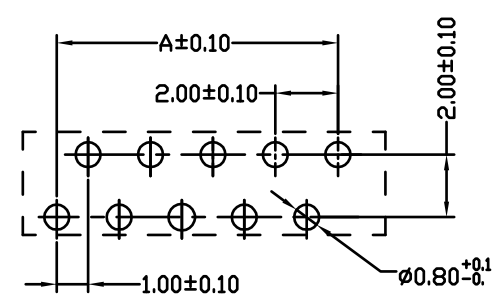
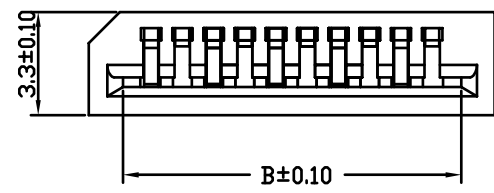
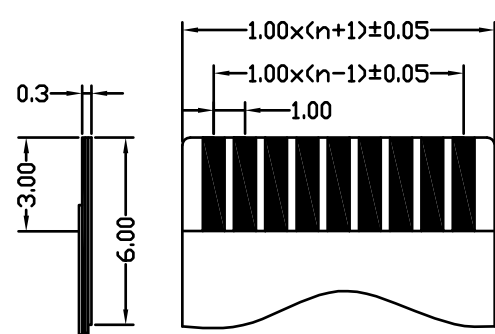


Specifications:
 Housing: LCP UL94-V0 Color: Black
 Contact: Phosphor Bronze
 Operating Voltage: 50V AC/DC
 Current Rating: 0.5A AC/DC
 Withstand Voltage: 250V AC/Minute
 Contact Resistance: $\leq 20m\Omega$
 Insulation resistance: $\geq 100m\Omega$
 Operating Temperature: $-25^{\circ}C \sim +85^{\circ}C$



SUGGESTED PCB LAYOUT
(COMPONENT SIDE)



Accommodated FFC

Circuits	Dimensions (mm)			Circuits	Dimensions (mm)		
	A	B	C		A	B	C
04	3.00	5.00	7.10	18	17.00	19.00	21.10
05	4.00	6.00	8.10	19	18.00	20.00	22.10
06	5.00	7.00	9.10	20	19.00	21.00	23.10
07	6.00	8.00	10.10	21	20.00	22.00	24.10
08	7.00	9.00	11.10	22	21.00	23.00	25.10
09	8.00	10.00	12.10	23	22.00	24.00	26.10
10	9.00	11.00	13.10	24	23.00	25.00	27.10
11	10.00	12.00	14.10	25	24.00	26.00	28.10
12	11.00	13.00	15.10	26	25.00	27.00	29.10
13	12.00	14.00	16.10	27	26.00	28.00	30.10
14	13.00	15.00	17.10	28	27.00	29.00	31.10
15	14.00	16.00	18.10	29	28.00	30.00	32.10
16	15.00	17.00	19.10	30	29.00	31.00	33.10
17	16.00	18.00	20.10				

一般公差 TOLERANCES X. ±0.40 .XX ±0.20 .X ±0.30 .XXX ±0.10 ANGLES ±2°		深圳市宏利电子有限公司 Shenzhen Holy Electronic Co.,Ltd	
检验尺寸标示 SYMBOLS \odot \ominus INDICATE CLASSIFICATION DIMENSION \odot MARK IS CRITICAL DIM. \ominus MARK IS MAJOR DIM.	工程 图号 FPC1055DDIP-nP 品名 FPC1.0mm -nP H5.5 单面接直插 TITLE FPC1.0mm Pitch FOR DIP CONN	制图 (DR) '08/5/16 审核 (CHKD) 核准 (APPD) Rigo Lu	张数 (SHEET) 1 OF 1 SIZE A4 REV 0
表面处理 (FINISH)	比例 (SCALE) 1:1	单位 (UNITS) mm	

修订 REV	修改摘要 REVISION DESCRIPTION	日期 DATE	签名 SIGNATURE
-	-	-	-